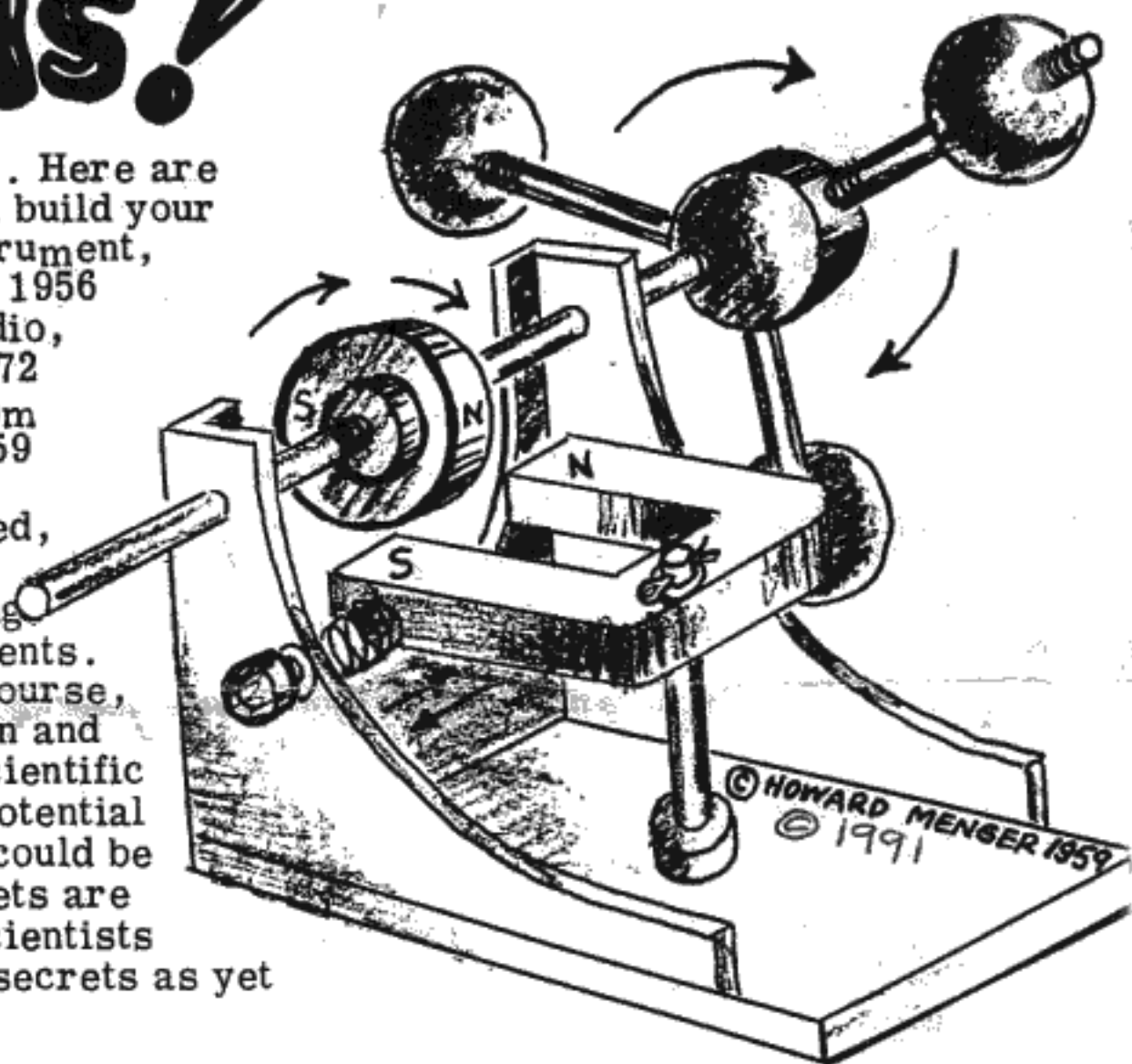


HERE IT IS!

The famous "FREE ENERGY" ^{*} Motor. Here are drawings and instructions to help you build your own working model. A precision instrument, originally built by Howard Menger in 1956 and received national attention on radio, television and is described on page 172 in Howard Menger's first book, "From Outer Space To You" published in 1959 in the U. S., France and Germany. The Magnetic Motor will, once started, run by itself, without batteries, for an indefinite length of time, depending on your "tuning" and skill in adjustments. We don't claim perpetual motion of course, but this motor has fascinated children and adults for hours. It is great for scientific and educational study of the energy potential available in permanent magnets. It could be used in schools and colleges. Magnets are still somewhat of a mystery to the scientists of today! Maybe YOU will discover secrets as yet unknown!

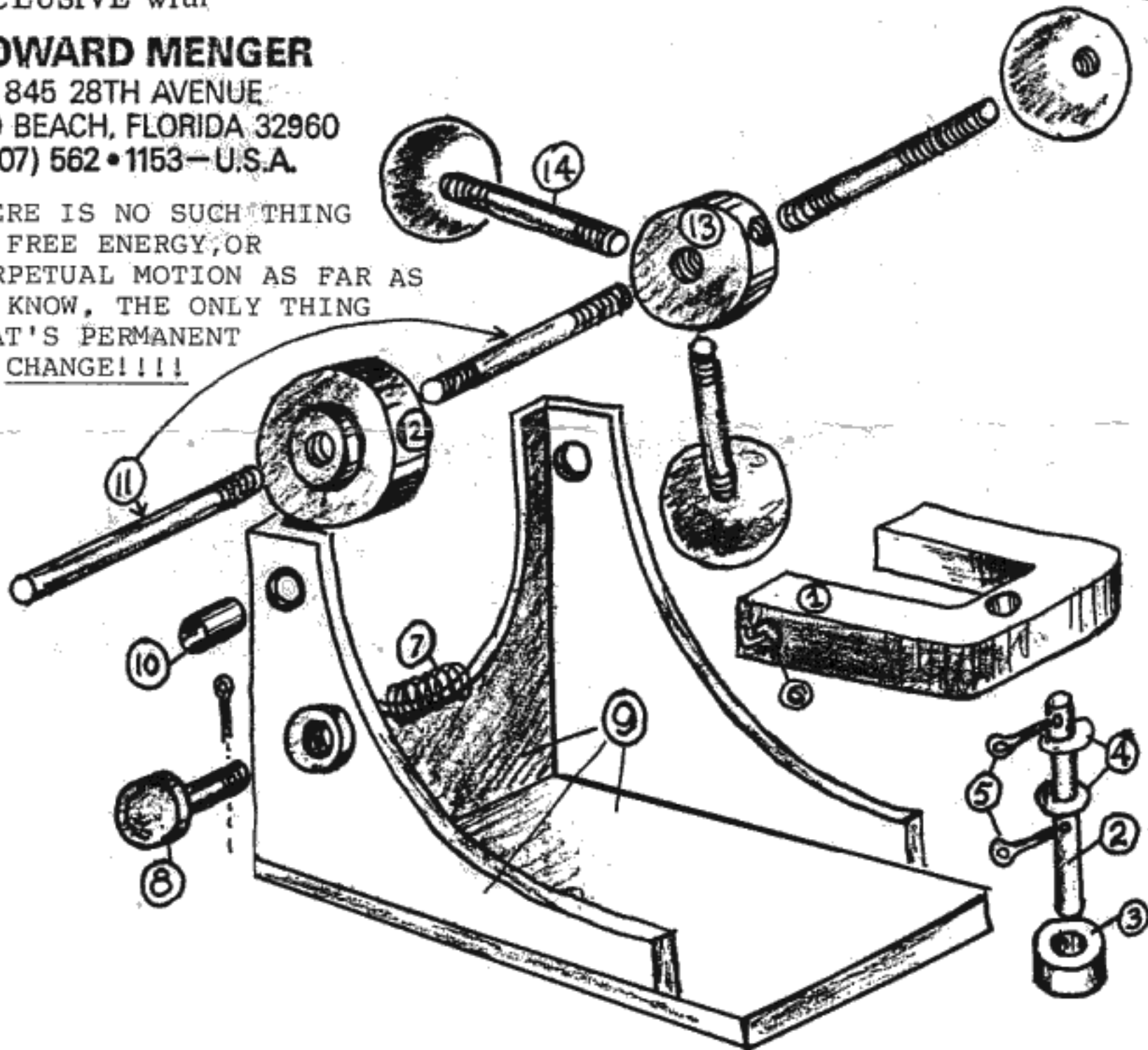


EXCLUSIVE with

HOWARD MENGER

845 28TH AVENUE
VERO BEACH, FLORIDA 32960
(407) 562-1153—U.S.A.

* THERE IS NO SUCH THING AS FREE ENERGY, OR PERPETUAL MOTION AS FAR AS WE KNOW, THE ONLY THING THAT'S PERMANENT IS CHANGE!!!!



(1) Horse shoe magnet with hole for shaft (2) and sleeve bearing (3)...(4) washers (5) cotter pins (6) hook to hold spring (7)...(8) finger adjustment screw for spring tension on horse shoe magnet. (9) plastic, brass or copper or wood base glued together or soldered. If plastic, use methylene chloride (carefully). (10) two sleeve bearings to support shafts (11). This may be one single shaft if the disc magnet (12) has a hole in its center. If not, the shafts must be glued on center on each side, or drill and tap. (13) this is a brass disc, drilled and tapped as shown for shaft (11). (13) is also drilled and tapped for three short shafts (14) all the same length, to be exactly equidistant and threaded for the three lead or brass balls drilled and tapped so they may be "tuned" as weights to overcome the natural equilibrium the magnets (1) and (12) are seeking while in motion. You will catch on quickly once you get it built and running, and you may improve on it with your own ideas. Remember...this is not perpetual motion. It is an educational toy for young and old. It has an element of mystery, waiting to be solved. It is magnetic energy in motion. With proper "tuning" who knows how long it will run? Build it any size you wish - size depends on how large magnets are. At first you may want to start the motion by hand, holding the horseshoe magnet (1) opposite the disc magnet (12) without using the spring and finger adjustment.(8)

Your parts suppliers are: General Electric Co., Edmore, Mich. 48829, Arnold Engineering Co., Marengo, Ill. 60152, also hardware stores, sign shops, machine shops, plastic and hobby shops, model builders shops, etc.

EXCLUSIVE with HOWARD MENGER

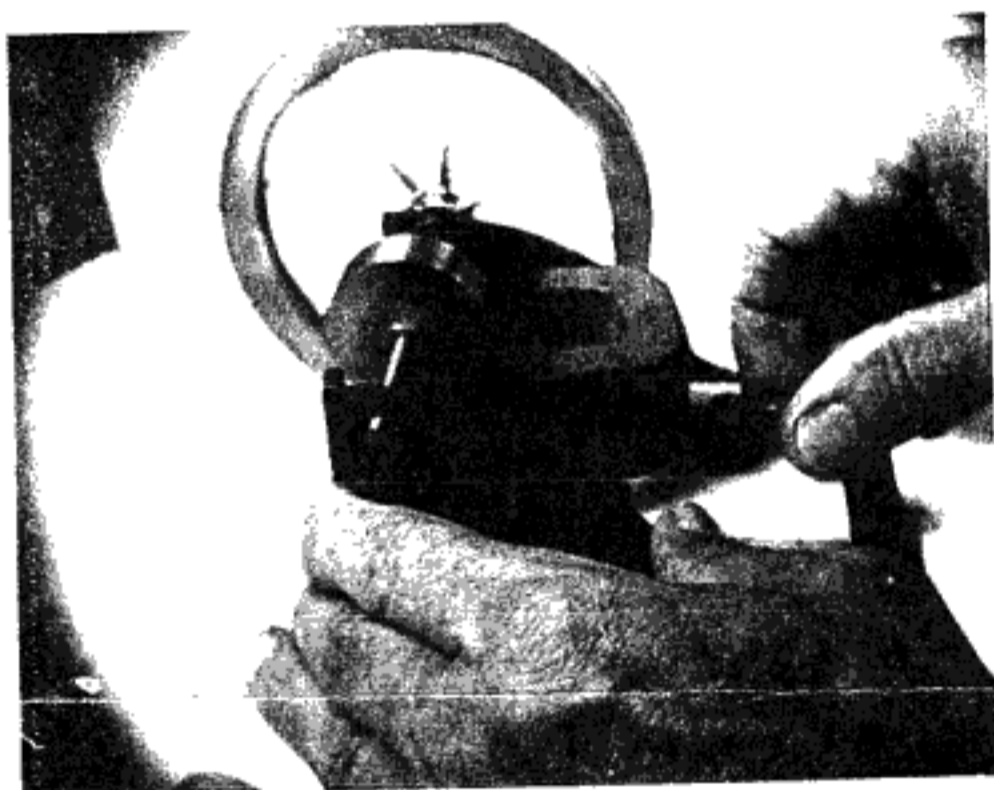


PHOTO #1

Photo #1 shows the magnetic motor running by manipulating the horse shoe magnet (1) in a left to right horizontal motion. The model shown is not tunable because it uses a flywheel instead of three brass balls as shown in drawings. You could, however, place a flywheel on the left side, which would help to keep it in motion. There are also electro-magnetic applications and extrapolation in my advanced models which have run for long periods of time and are capable of regeneration and producing electric power, either stationary or in a moving vehicle. Good luck and good experimenting.

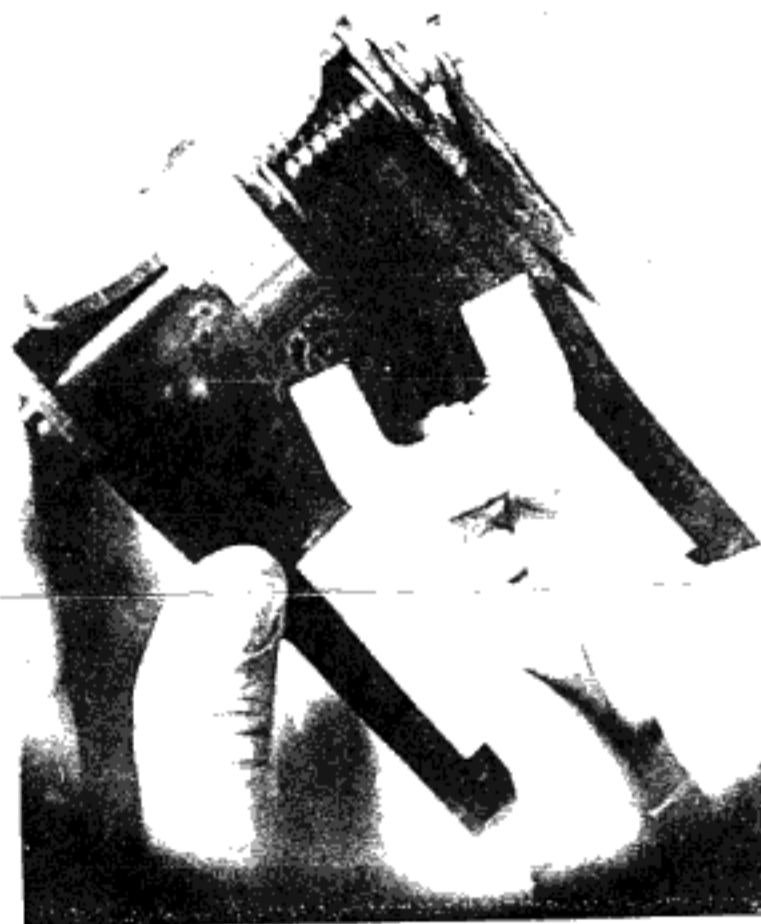
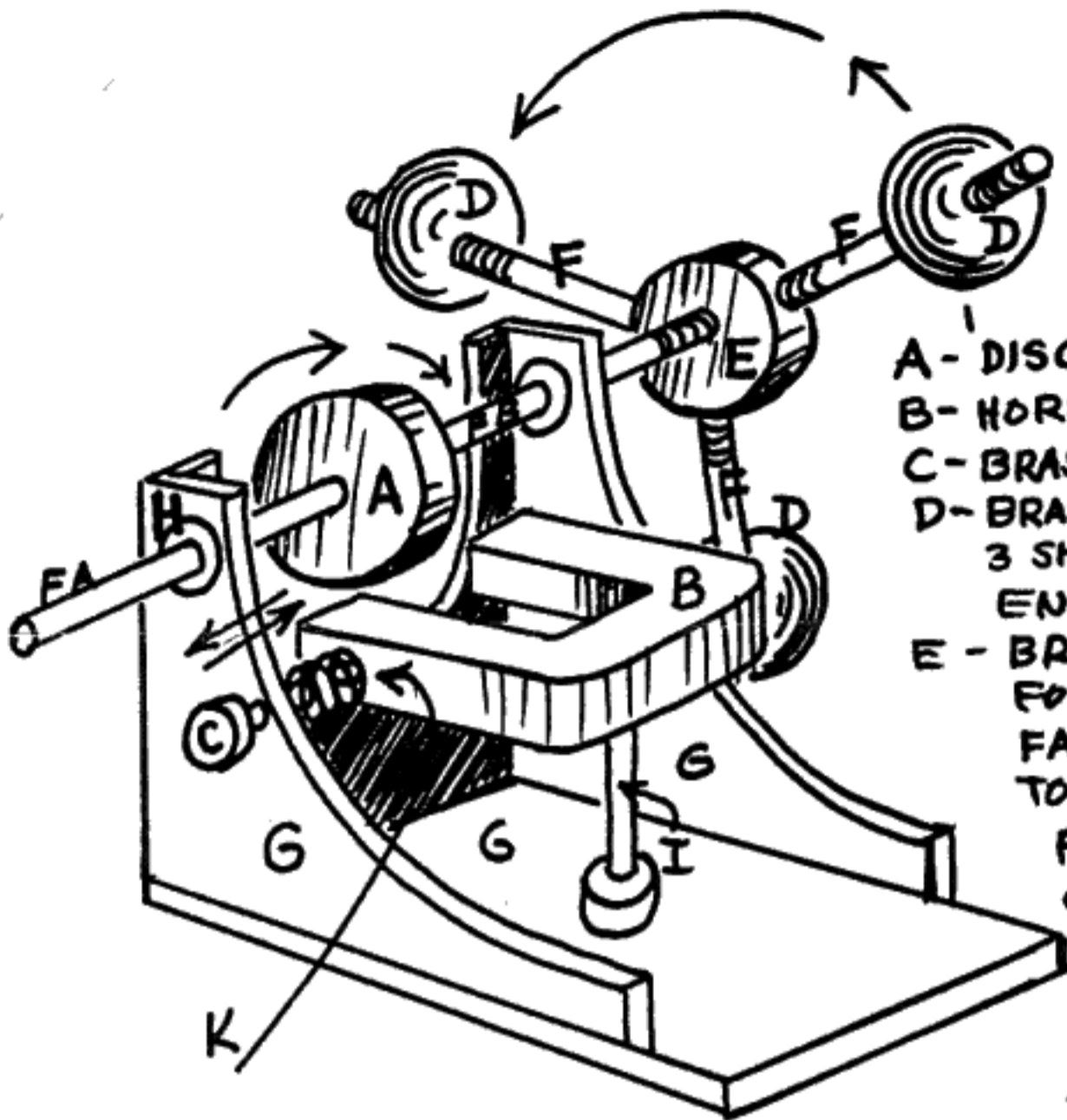
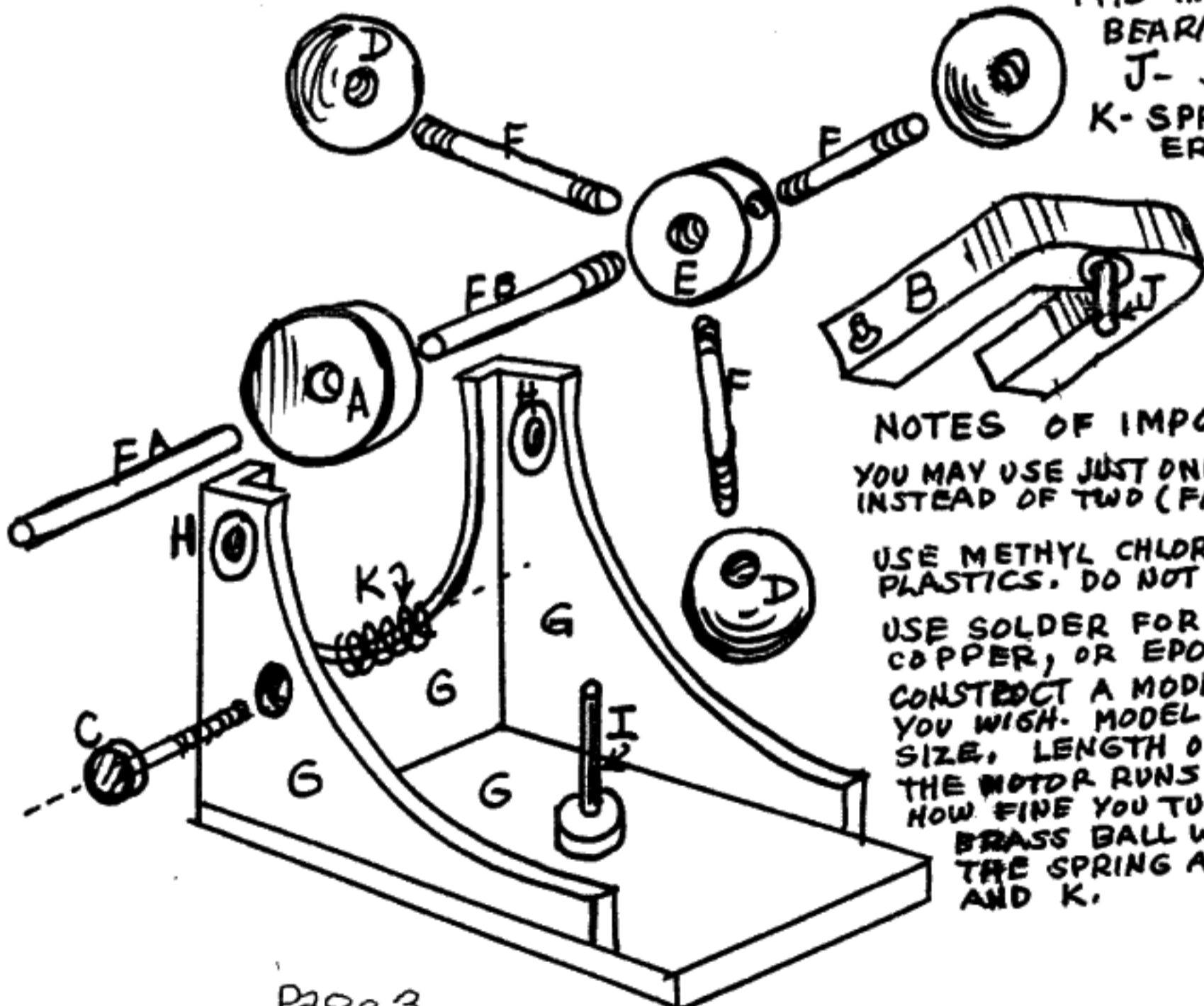


PHOTO #2 (top view)

HOWARD MENGER
 845 28TH AVENUE
 VERO BEACH, FLORIDA 32960
 (407) 562-1153-U.S.A.



- A - DISC MAGNET WITH HOLE
- B - HORSESHOE MAGNET
- C - BRASS ADJUSTABLE SPRING ENSEMBLE
- D - BRASS BALLS, DRILLED & TAPPED FOR 3 SHAFTS, BRASS, THREADED BOTH ENDS. (F)
- E - BRASS DISC, DRILLED & TAPPED FOR SHAFTS F & FA & FB
 FA & FB ARE GLUED WITH APOXY TOGETHER IN HOLE OF DISC A
- F - 3 BRASS SHAFTS
- G - BRASS, COPPER, WOOD OR 1/8" PLASTIC BASE
- H - SLEEVE, OR BALL BEARINGS FOR SHAFTS FA & FB
- I - BRASS SHAFT GLUED TO BASE, FITS INTO SLEEVE BEARING J.
- J - SLEEVE BEARING
- K - SPRING & RETAINER. - BRASS



NOTES OF IMPORTANCE:
 YOU MAY USE JUST ONE SINGLE SHAFT INSTEAD OF TWO (FA & FB)
 USE METHYL CHLORIDE TO GLUE PLASTICS. DO NOT BREATHE IT IN!
 USE SOLDER FOR BRASS OR COPPER, OR EPOXY.
 CONSTRUCT A MODEL ANY SIZE YOU WISH. MODEL SHOWN IS ACTUAL SIZE. LENGTH OF TIME THE MOTOR RUNS DEPENDS ON HOW FINE YOU TUNE IT WITH THE BRASS BALL WEIGHTS, AND THE SPRING ADJUSTMENT, C AND K.



FROM THE DESK OF...

HOWARD MENGER

845 28TH. AVENUE

VERO BEACH, FLORIDA 32960

1-(407) 562-1153

FAX 1-(407) 562-1153

DEAR EXPERIMENTER,

HERE ARE SOME PHOTOS OF THE "FREE ENERGY MOTOR" WHICH PERFORMED SUCCESSFULLY. SOME OF THE TOOLS NEEDED ARE SHOWN, BUT YOU WILL ALSO NEED A JIG SAW TO CUT THE PLASTIC SECTIONS. THEY CAN BE GLUED TOGETHER WITH SUPER GLUE OR METHYL CHLORIDE. CAUTION! DO NOT BREATHE IN FUMES! HAVE GOOD VENTILATION, WITH A FAN IF POSSIBLE. TUNING THIS DEVICE IS CRITICAL. IN ORDER FOR IT TO RUN FOR ANY LENGTH OF TIME BY ITSELF. THE STRENGTH OF THE BRASS SPRINGS IS IMPORTANT, AS IS THE ADJUSTMENT OF THE BRASS BALLS ON THE SHAFTS.

